

KOHLER®

Wellworth® Two-piece elongated dual-flush toilet K-3988-RA

Features

- Two-piece design.
- Elongated bowl offers added room and comfort.
- Right-hand nested trip lever offers a choice of 1.1 or 1.6 gallons per flush (gpf).
- 2-1/8" (54 mm) fully glazed trapway.
- Coordinates with other products in the Wellworth collection.
- Combination consists of the K-4198 bowl and the K-4458-RA tank.
- Seat not included.

Technology

- Dual-flush technology allows you to choose between a full or partial flush.

Installation

- Standard 12" (305 mm) rough-in.
- Three-bolt quick-connect installation.

Water Conservation & Rebates

- Eligible for consumer rebates in some municipalities.

Recommended Products/Accessories

K-4636 Cachet® Quiet-Close™ Elongated Toilet Seat
K-5588 Purefresh® Elongated Toilet Seat
K-4108 C³®-230 Elongated cleansing toilet seat
K-5420 Low-Profile Bolt Caps
K-9236 Trip Lever Dual Flush
1023457 Wax Ring/Hardware Kit
1265114 Connector Hose
K-23726 Drain treatment

Included Components

Product consists of:

K-4458-RA Toilet tank, dual-flush
K-4198 Elongated Bowl
K-9236 Trip Lever Dual Flush

Additional Components:

Bolt cap accessory pack
Bowl
Tank
Tank cover
Trip lever



Codes/Standards

ASME A112.19.2/CSA B45.1
EPA WaterSense®



KOHLER® Toilets and Seats Limited Warranty

See website for detailed warranty information.

Available Colors/Finishes

Color tiles intended for reference only.

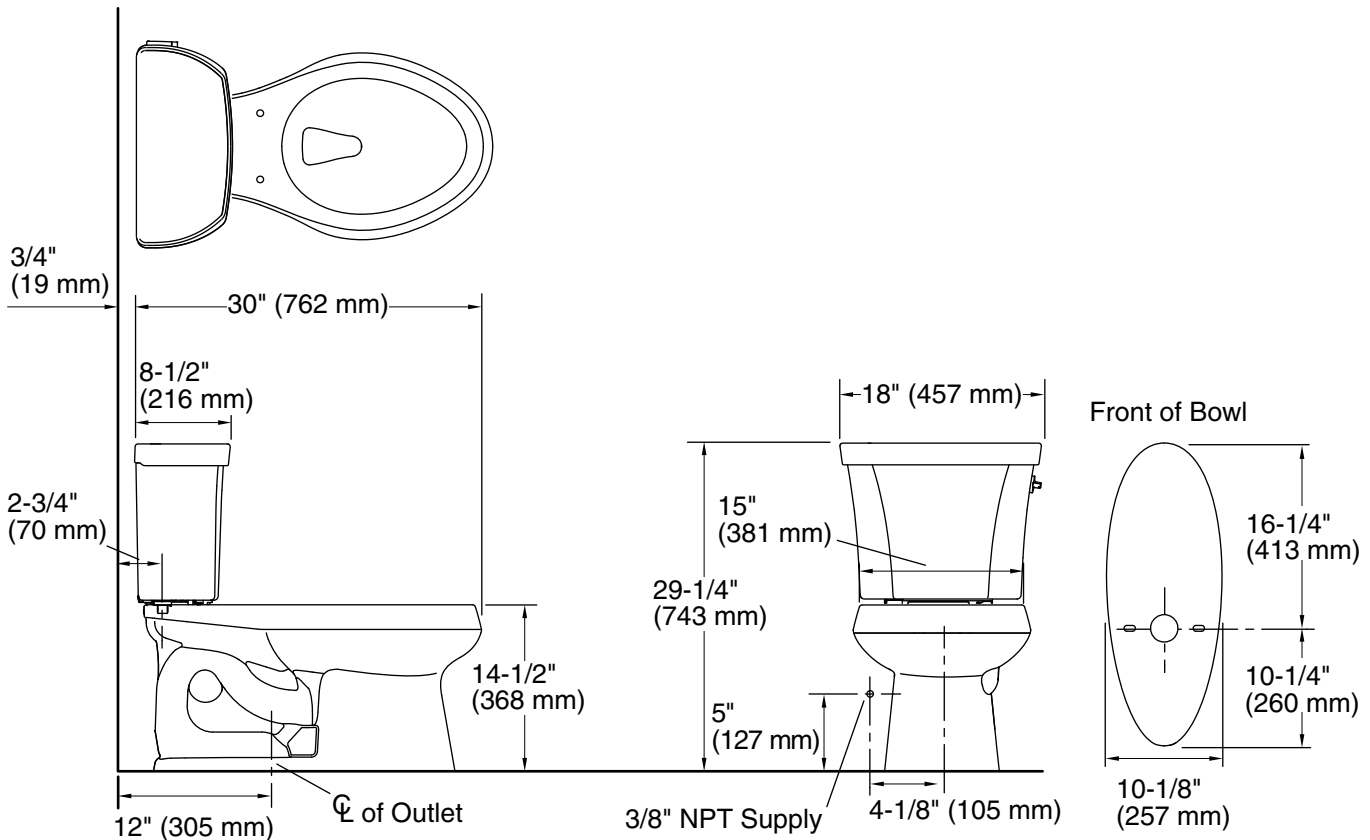
Color	Code	Description
-------	------	-------------

	0	White
	96	Biscuit

1-800-4KOHLER (1-800-456-4537)

Kohler Co. reserves the right to make revisions without notice to product specifications.
For the most current Specification Sheet, go to www.kohler.com.

THE BOLD LOOK
OF **KOHLER**®



Technical Information

All product dimensions are nominal.

Toilet type:	Two-piece, Floor-mount
Waste Outlet:	Floor
Bowl shape:	Elongated
Flush type:	Class Five®
Trap passageway:	2-1/8" (54 mm)
Water Consumption	
Full:	1.6 gpf (6 lpf)
Reduced:	1.1 gpf (4.3 lpf)
Water surface size:	11-1/4" x 8-1/4" (286 mm x 210 mm)
Rim to water surface:	5-1/4" (133 mm)
Rough-in:	12" (305 mm)
Seat-mounting holes:	5-1/2" (140 mm)

Notes

Install this product according to the installation instructions.